

Instruction of CVS-LM-500

ITEM NO.: CVS-LM Series

This slave controller is only used with master controller CVS-LM-U8 to separate the master signal and make them transmit orderly.

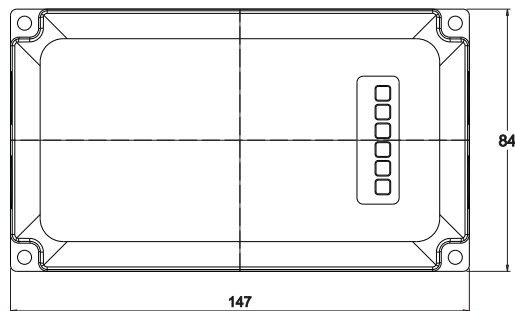
A.Products information

A-1. Technical parameters

Model : CVS-LM-500
 Size : L147xW84xH41.3mm
 Weight : 0.5Kg
 Input voltage : 12-24V/DC
 Output terminals : 4 pins (TPK) connectors
 Control range : 512 pixels
 Gray degree : 256
 Input signal : TTL
 Output signal : SPI/DMX 512
 IP class : IP 20



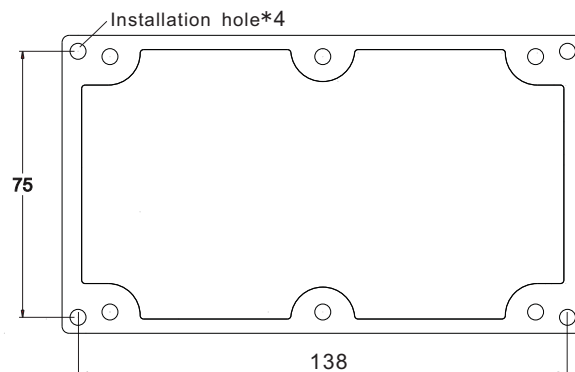
B.Dimension drawing



CVS-LM-500

C.Installation

F-1.Installed on the wall or floor via stainless steel ST4 screws。 Installation holes of each

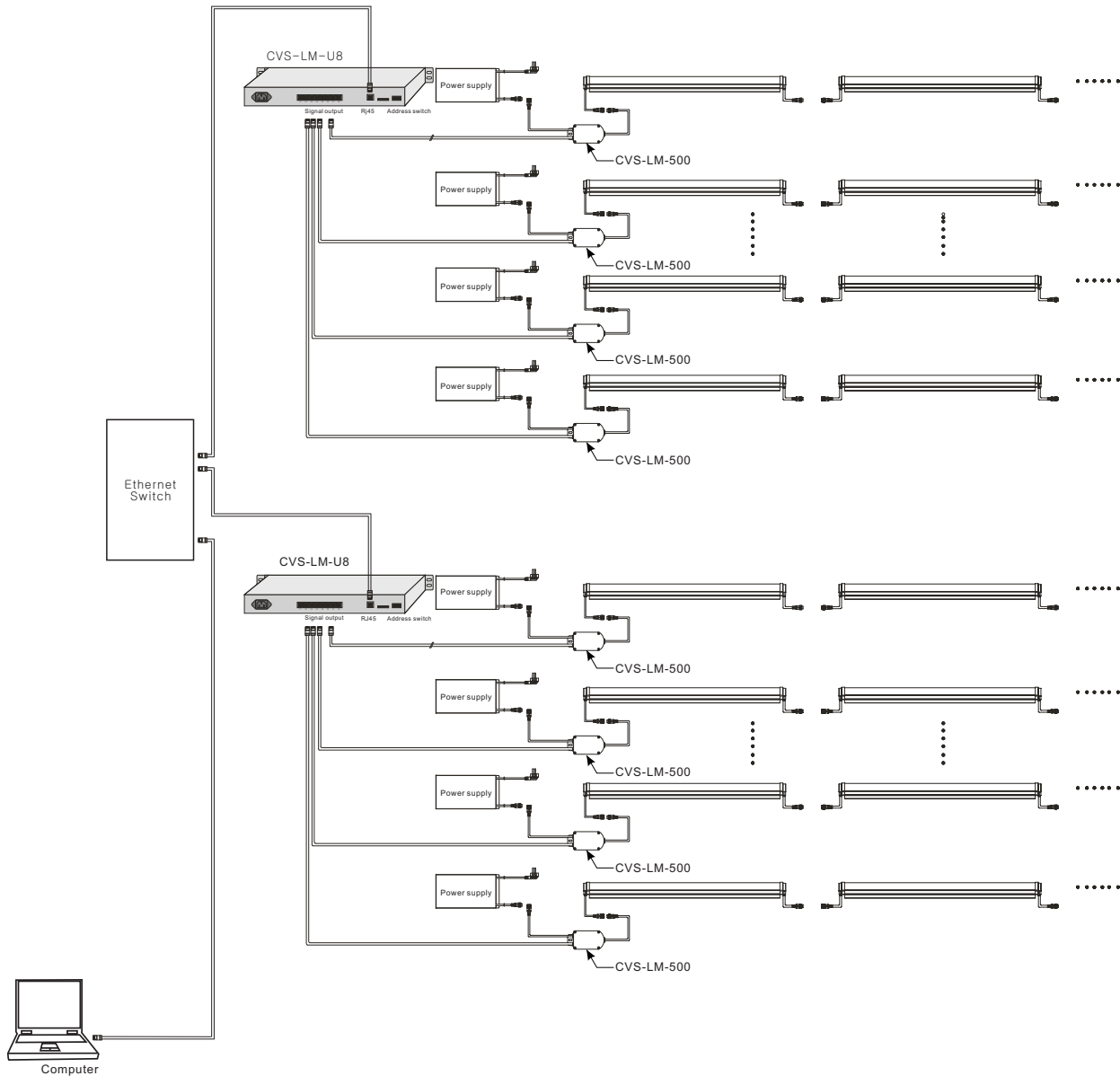


CVS-LM-500

Instruction of CVS-LM-500

ITEM NO.: CVS-LM Series

D.Connection



Notice

1. Don't plug it into power before unpacking;
2. Don't use anything to cover it;
3. Don't use it in closed place;
4. Pls ask for technician's help when product has problem. Private disassembly is prohibited.

Warning

* Must screw tightly the threaded portion of signal and power connectors in order to avoid bad work of controller.