

LED HARD STRIP

ITEM NO.: LLS-W20 Series

INSTRUCTION OF LED HARD STRIP LLS-W20

The products are mainly used in indoor lowdoor decoration lighting, especially for the application of the cove and ceiling. This series of products is divided into two kinds of working modes: static color and color changing.

A. Specification

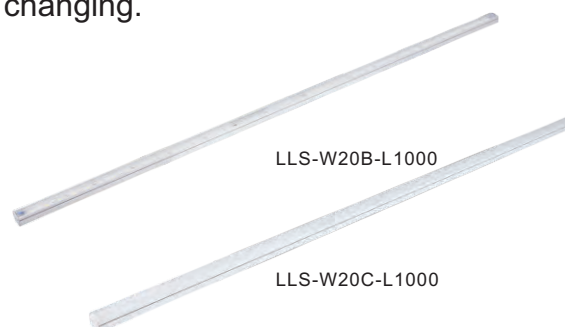
A-1. Structure:

Materials Of Shell: Aluminum + Flat PC Cover(L1)
Aluminum + Arch PC Cover(L2)

Operating Voltage: 24V DC

Protection Rating: IP65

Operating Temperature: -20°C~40°C



A-2. Model Configuration Table:

Model No.	LED Color	LED Quantity	Power Consumption	Size	Weight	✓
LLS-W20B -L500	RGB(3in1),W,WW,	24pcs SMD/5050	6 WATTS	L500xW20xH14mm	0.30±5%kgs	
LLS-W20B -L1000	RGB(3in1),W,WW,	48pcs SMD/5050	12 WATTS	L1000xW20xH14mm	0.52±5%kgs	
LLS-W20C-L500	RGB(3in1),W,WW,	24pcs SMD/5050	6 WATTS	L500xW20xH20mm	0.31±5%kgs	
LLS-W20C-L1000	RGB(3in1),W,WW,	48pcs SMD/5050	12 WATTS	L1000xW20xH20mm	0.53±5%kgs	

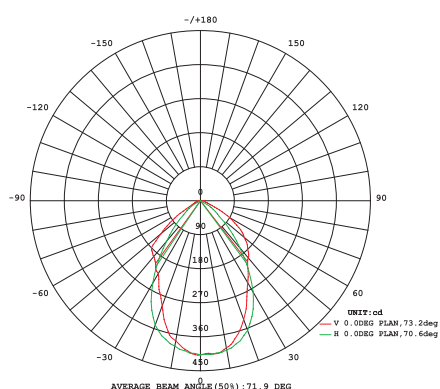
B. Working Mode

B-1. Video system control Mode : Light work by video controller

B-2. Static color: The outer constant Voltage power supply. (*Note: Connectors matching)

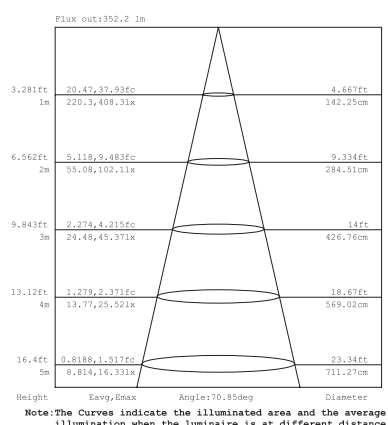
C. Photometrics Parameters

C-1. Cadela Dstribution

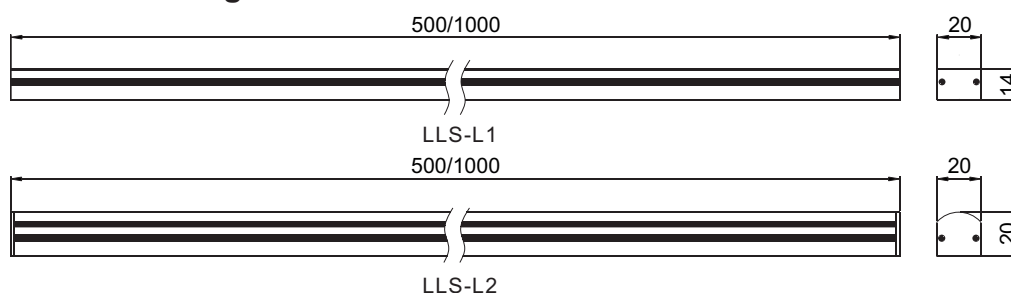


C-2. Illuminance At A Distance

LLS-W20C-48-L1000-24V-WW



D. Dimension Drawing

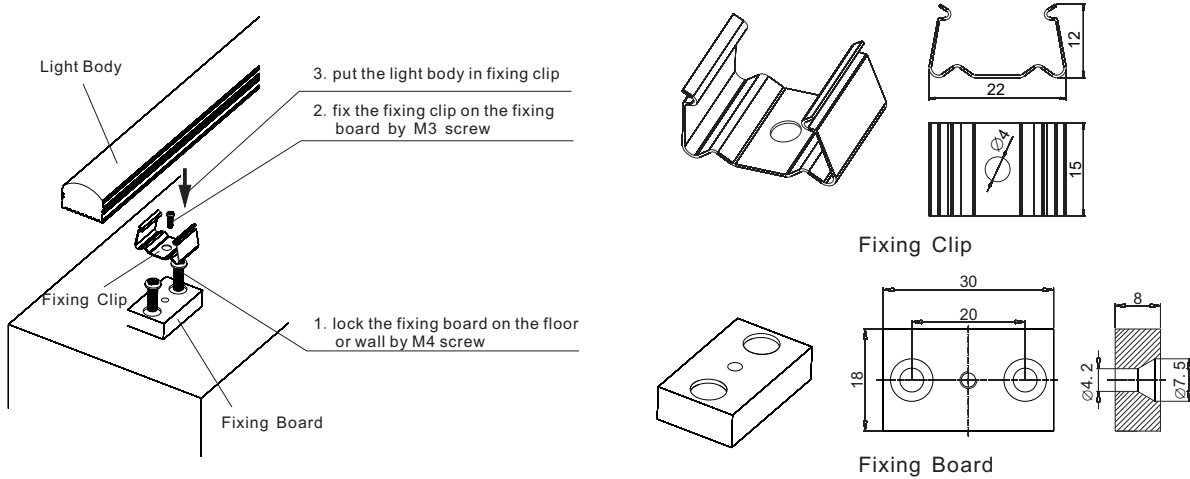


LED HARD STRIP

ITEM NO.: LLS-W20 Series

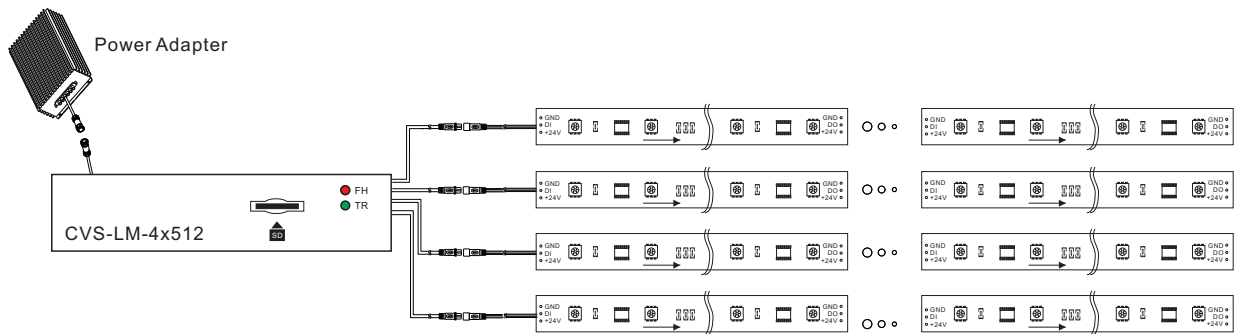
E. Installation

As left picture shows, first lock the fixing board on the floor or wall, then fix the fixing clip on the fixing board, at last put the light body in fixing clip. Size drawing of fixing clip and board is shown as below two right pictures:

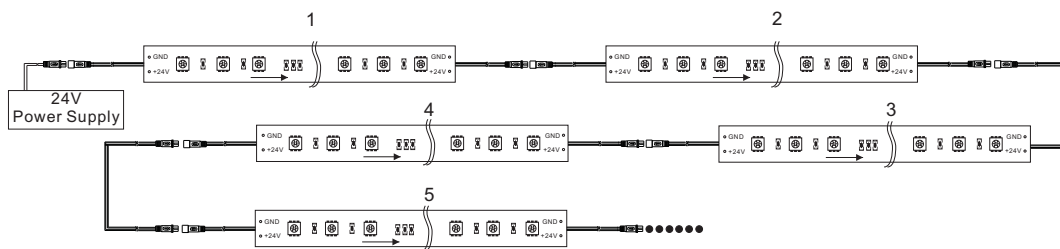


F. Connection

F-1. Video control Mode



F-2. Static color Mode



Model No.	Working voltage	Max power connection	Max signal connection
LLS-W20B-L500	24V DC	20 PCS	128 PCS
LLS-W20B-L1000	24V DC	10 PCS	64 PCS
LLS-W20C-L500	24V DC	20 PCS	128 PCS
LLS-W20C-L1000	24V DC	10 PCS	64 PCS

T type cable is needed when the quantity of light is over max power connection

LED HARD STRIP

ITEM NO.: LLS-W20 Series

Caution:

1. Do not plug them into power when the product is still inpackage;
2. Don't use anything to cover the fixture during application;
3. Don't use this product in close environment;
4. If this product appears to be damaged, do not attempt any repair, please contact your dealer.

****Neglect on action of the above treatment will lead to failure of waterproof and proper working of the lights!!!*

Note: The above instruction are subject to update or improved without notice.Pls turn to our staff for further details !
Thanks for your long term support !